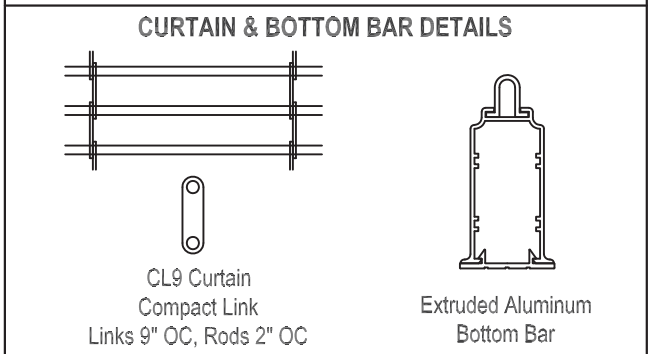
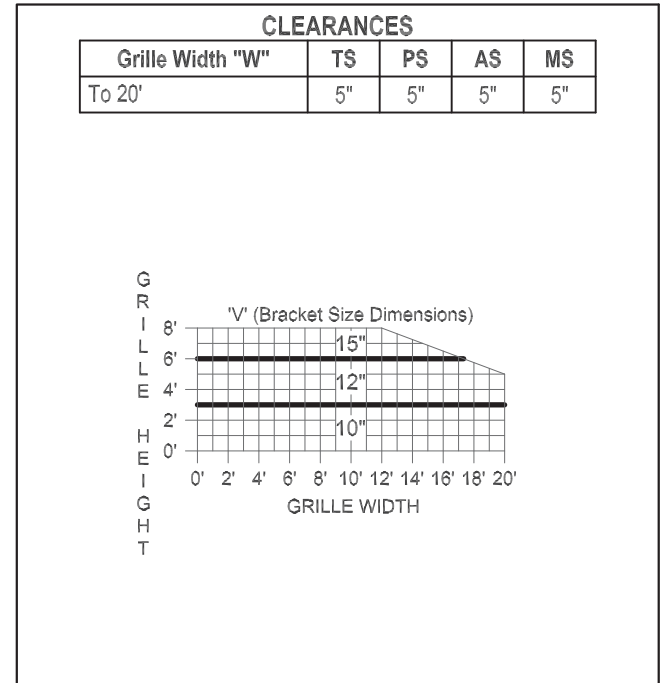
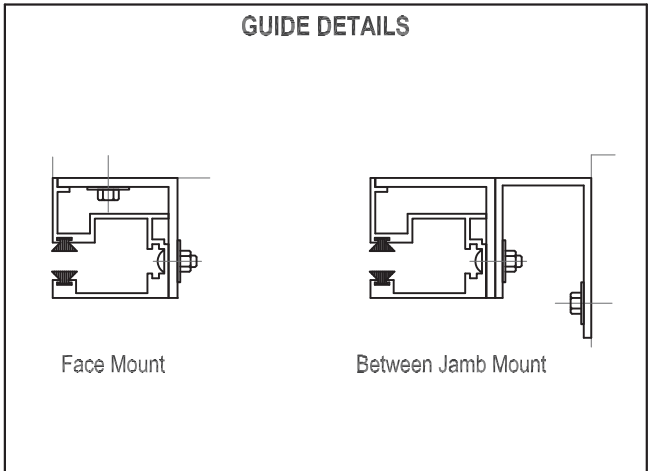
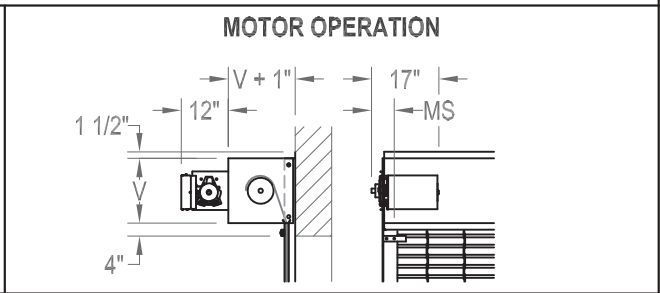
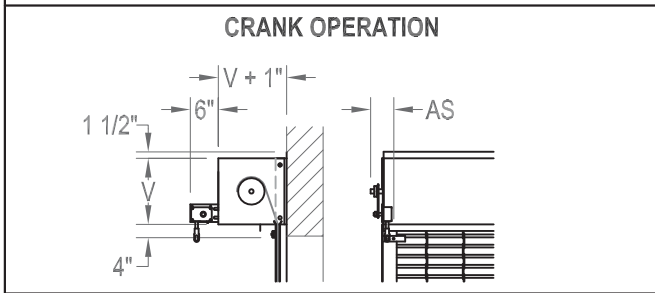
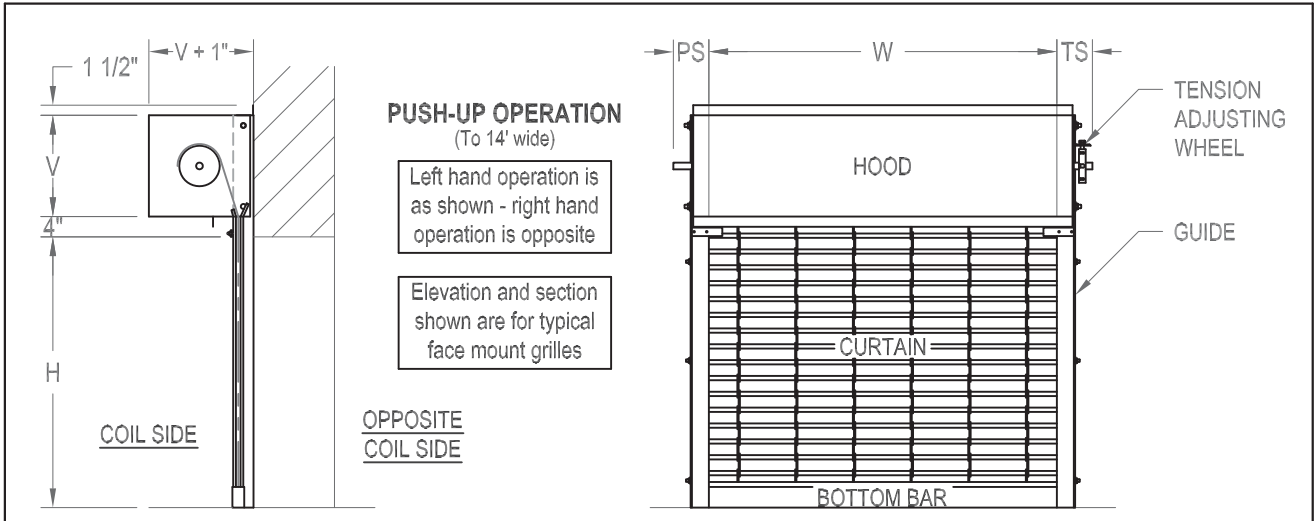


**Model CG
Counter Grilles**



GENERAL NOTES:
Clearances are based upon standard grille construction. Reduced clearances may be available. Some options may require additional clearance. Shop drawings for specific applications are available. Consult factory for any information not shown.