

**SPECIFICATIONS**

**MAXIMUM SIZE GATE BODY**

17 ft. wide (single gate) or 34 ft. wide (bi-parting gate), 12 ft. high  
Vertical double 14 gauge steel channels spaced approximately 6" apart, with 3 double rows of 3/16" lattice bars between channels, riveted together through zinc plated steel washers

**LEAD & REAR BARS LOCKING**

14 gauge formed steel box channels  
Hasp suitable for padlocking gate in closed position (full height lock post on single gate), self-locking steel tie-back arm to hold gate in open position

**BOTTOM ROLLERS**

Machined steel ball bearing non-swivel double-wheel rollers in 14 gauge formed steel box channel bottom track with rubber floor pads

**TOP GUIDE**

Full height vertical double 14 gauge steel channels traveling through 14 gauge formed steel box channel top track

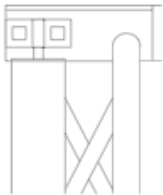
**FINISH**

Factory applied black, bronze or gray paint

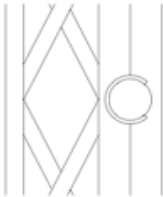
**WARRANTY**

Two year limited warranty (excluding finish)

**COMMON OPTIONS**



Pivot Gate



High security keyed pin lock



Cylinder locking device

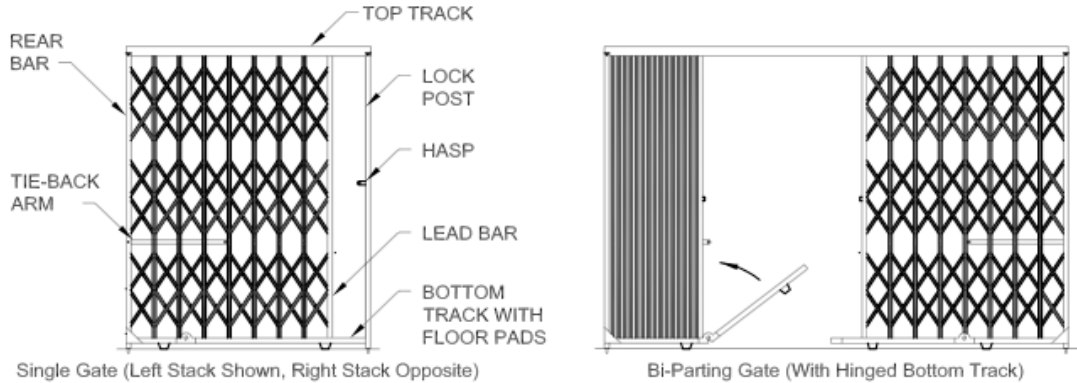


Gate cabinets - surface mount shallow cabinet shown, recessed or deep cabinet designs available

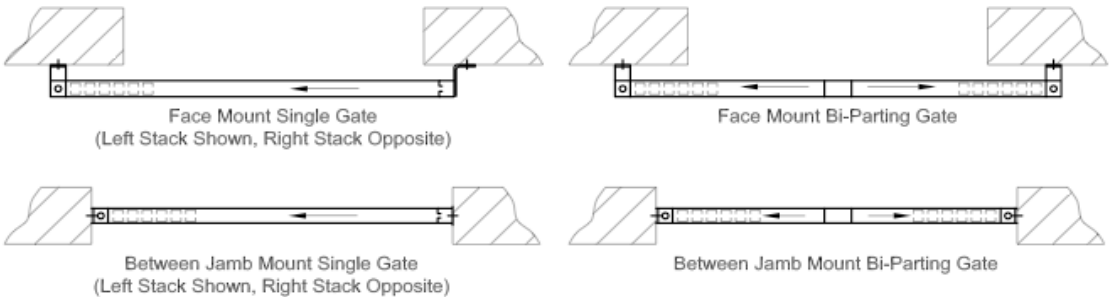
**OTHER OPTIONS**

- JC-1000 "Quick Release"
- Unequal Pair Gates
- Floating Gate Sections
- Portable Gates
- Powder Coat Finish

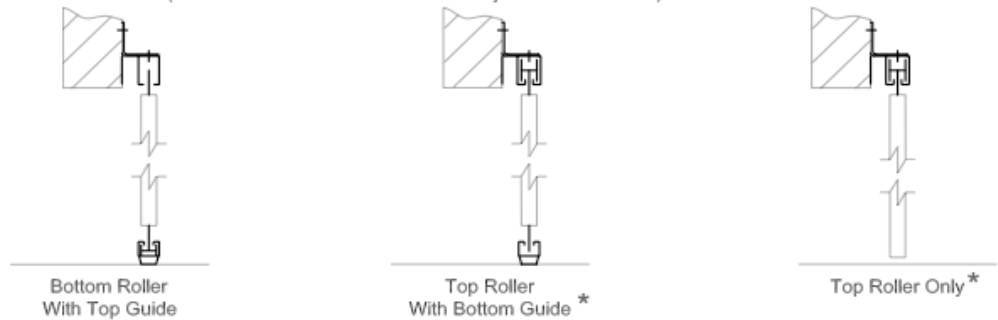
**GATE DETAILS**



**MOUNTING DETAILS**



**TRACK DETAILS (Face mount details shown - between jamb mount similar)**



**CLEARANCES:**

Allow approximately 2" per ft. of gate width for stacking clearance.

**GENERAL NOTES:**

Clearances are based upon standard gate construction. Some options may require additional clearance. Shop drawings for specific applications are available. Consult factory for any information not shown.

\* Available as an option



903 Jan Mar Court, Minneola, FL 34715  
Toll Free 1(800) 357-DOOR (3667)  
www.commercialdoorsdirect.com

© 2012 Commercial Doors Direct.

Commercial Doors Direct. reserves the right to change specifications without notice. Refer to Standard Specifications sheet