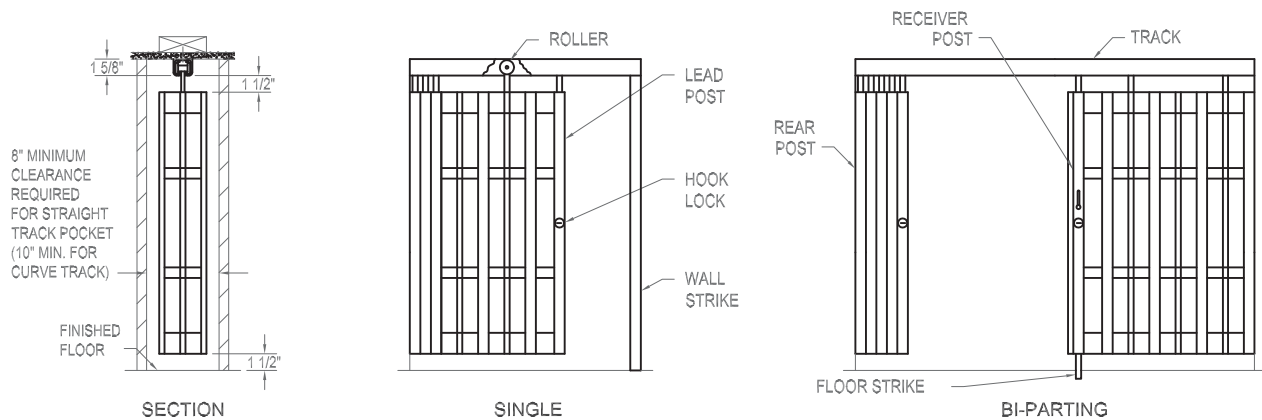
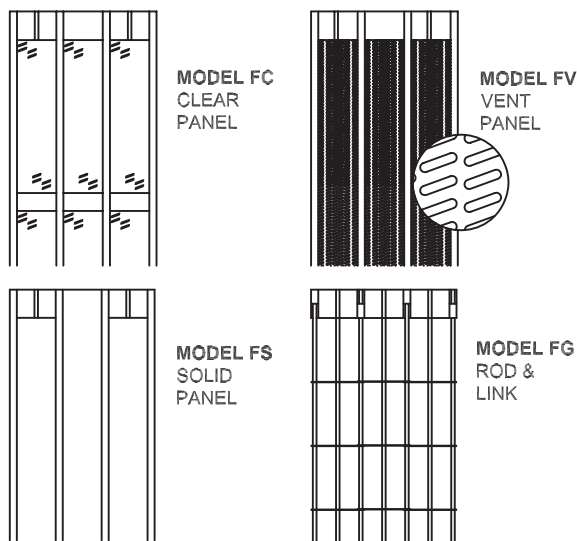


CLOSURE DETAILS

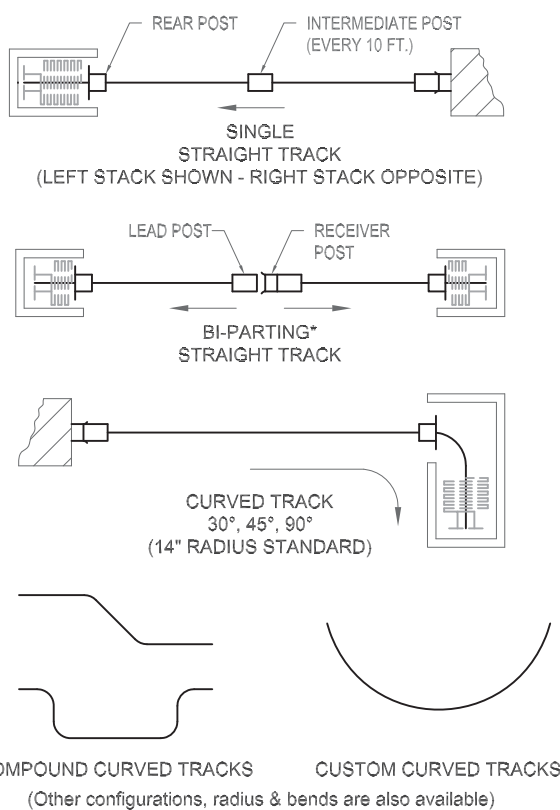
MODEL FO - OPEN PANEL SHOWN



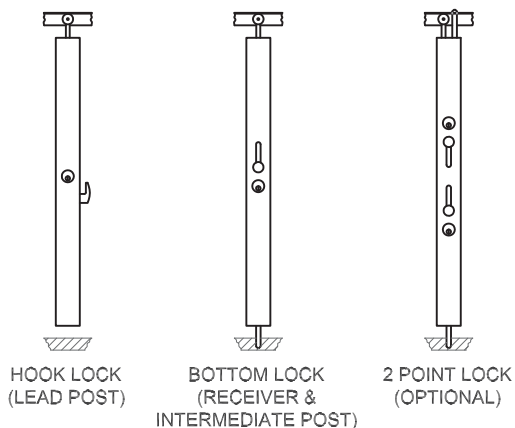
CURTAIN DETAILS



MOUNTING DETAILS



LOCKING DETAILS



CLEARANCES:
Allow approximately 2" per ft. of width for stacking clearance.

GENERAL NOTES:
Clearances are based upon standard construction. Reduced clearances may be available. Some options may require additional clearance. Shop drawings for specific applications are available. Consult factory for any information not shown.