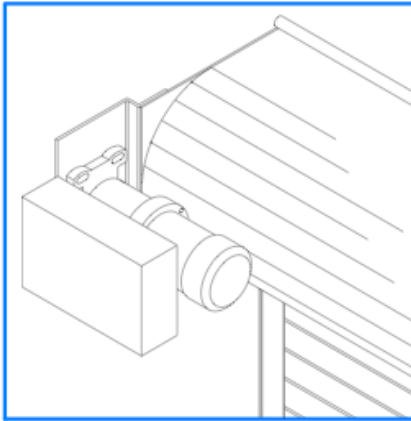


Commercial motor operators are compact but efficient. Their "low-profile" design means that no additional clearance above the top of the door coil is normally required. In-line gear reducers provide capacities generally exceeding those of traditional gear or belt drive motor operators with the same horsepower rating. All motor operators are UL Listed and are standard with NEMA-1 enclosures, overload protection, adjustable linear driven limit switches, 24 volt control circuit, and 3-button open-close-stop wall mount control station.

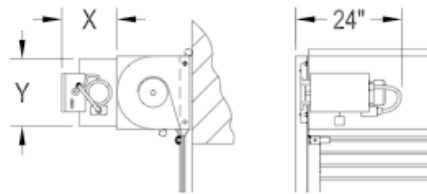


**Model SGH**

**In-line Gear Drive Operator with Auxiliary Hoist**

For all service doors and grilles in standard or high cycle usage applications not exceeding 40 cycles per hour

- High efficiency in-line gear reducer
  - Continuous duty TEFC motor
  - Solenoid actuated disc brake
  - Delay on reverse function (*requires sensing edge*)
  - Interlocked chain hoist for emergency operation (up to 2 hp)
  - Horizontal front of coil mount
  - 1/2, 1, 2, 3, and 5 hp
  - 115v-1ph / 230v, 460v-3ph (2 hp recommended to be 3ph, 3 and 5 hp available in 3ph only)
- Size limits: 1875 sq. ft. in standard usage applications*



Model SGH

HP	X	Y
1/2	15"	12"
1	15"	15"
2	17"	19"

Consult factory for larger than 2 hp

**Model MGH**

**In-line Gear Drive Operator with Auxiliary Hoist**

For all service doors and grilles in standard usage applications not exceeding 20 cycles per hour

- In-line gear reducer
- TENV motor
- Solenoid actuated disc brake
- Interlocked chain hoist for emergency operation
- Horizontal front of coil mount
- 1/2 hp
- 115v-1ph / 230v, 460v-3ph

*Service Door size limits:*

- 350 sq. ft. with 22 gauge slats (275 sq. ft. with PVC back insulation)*
- 300 sq. ft. with 20 gauge slats (250 sq. ft. with PVC back insulation)*
- 225 sq. ft. with 18 gauge slats (200 sq. ft. with PVC back insulation)*

*Grille size limits:*

- 600 sq. ft. for aluminum, 300 sq. ft. for stainless steel*

**Models MGRL / MGRL-H**

**In-line Gear Drive Operator with Internal Lock Sensor and Auxiliary Release or Hoist**

For small service doors, counter service doors and grilles with locks in standard cycle usage applications not exceeding 20 cycles per hour

- In-line gear reducer
- TENV motor
- Solenoid activated disc brake
- Interlocked lever release for emergency push-up operation or connection to optional emergency egress device
- Interlocked chain hoist for emergency operation (*field installed MGRL-H modular hoist conversion option*)
- Horizontal front of coil mount
- 1/3 hp
- 115v-1ph (consult factory for availability of other voltages)

*Service Door size limits:*

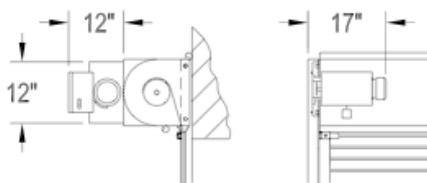
- to 300 sq. ft. with 24 gauge slats (215 sq. ft. if insulated w/ PVC back)*
- to 240 sq. ft. with 22 gauge slats (185 sq. ft. if insulated w/ PVC back)*
- to 200 sq. ft. with 20 gauge slats (160 sq. ft. if insulated w/ PVC back)*
- to 150 sq. ft. with 18 gauge slats (135 sq. ft. if insulated w/ PVC back)*

*Counter Service Door size limits:*

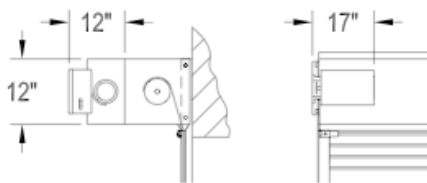
- to 120 sq. ft. with steel, stainless steel or aluminum slats*

*Grille size limits:*

- to 400 sq. ft. for aluminum, 200 sq. ft. for stainless steel*



Model MGH



Models MGRL / MGRL-H

