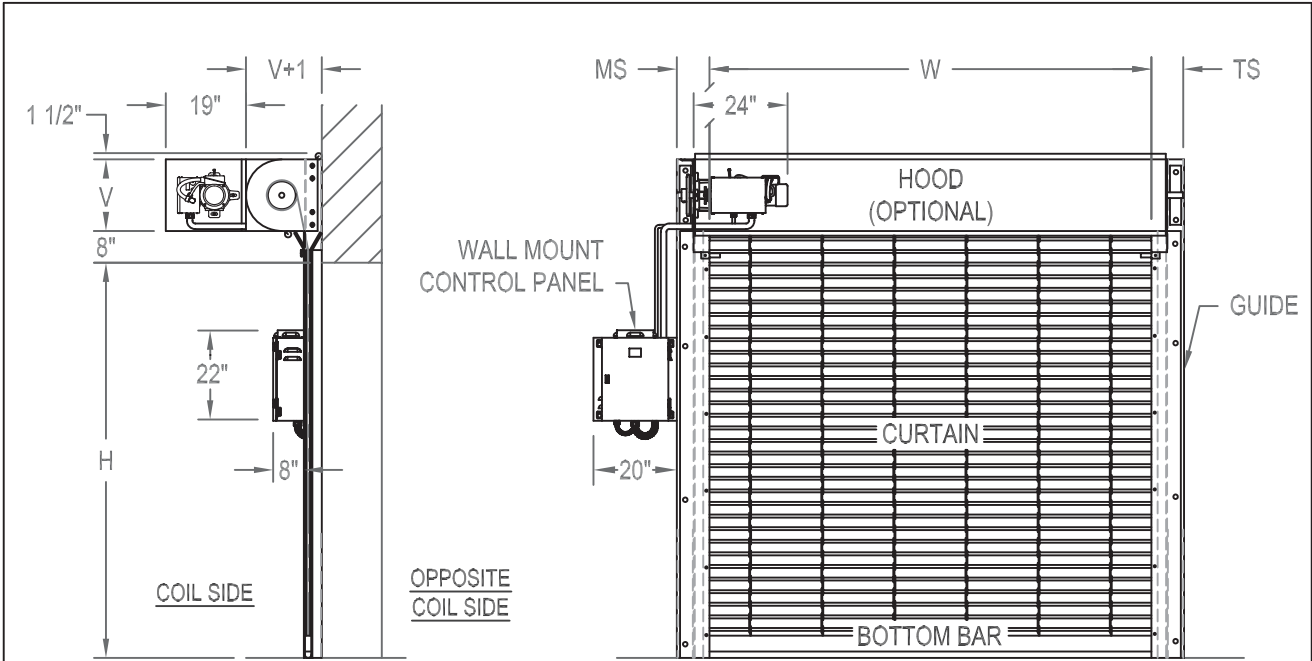
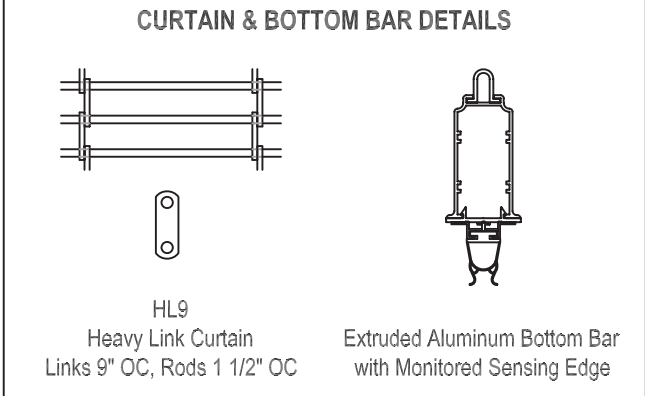
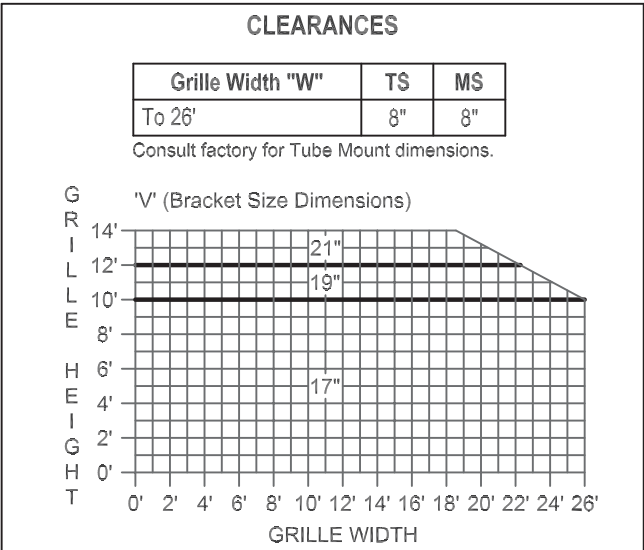
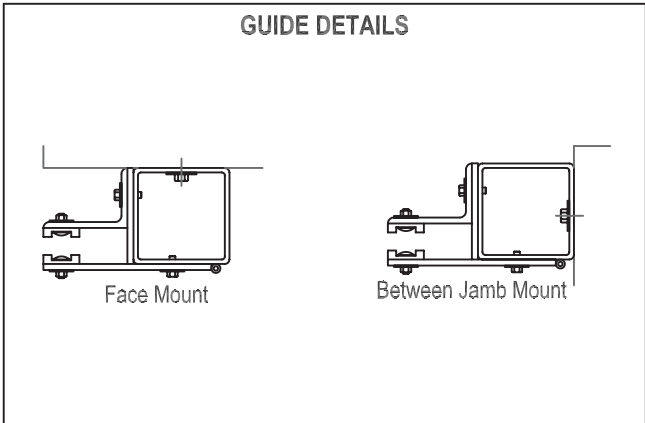


**Model PG
High Performance Grilles**



- NOTES:**
1. Left hand operation as shown. Right hand operation is opposite.
 2. Elevation and section shown are for typical face mount grilles.
 3. Control panel can be moved to suit field conditions.



LOW HEADROOM CLEARANCE OPTION:
For grilles to 8'-6" high, 'V' dimension may be reduced to 15", guide throat may be reduced from 8" to 6", and top roll on hood (when provided) may be turned down - consult factory for availability.

GENERAL NOTES:
Clearances are based upon standard grille construction. Some options may require additional clearance. Shop drawings for specific applications are available. Consult factory for larger grilles and any information not shown.